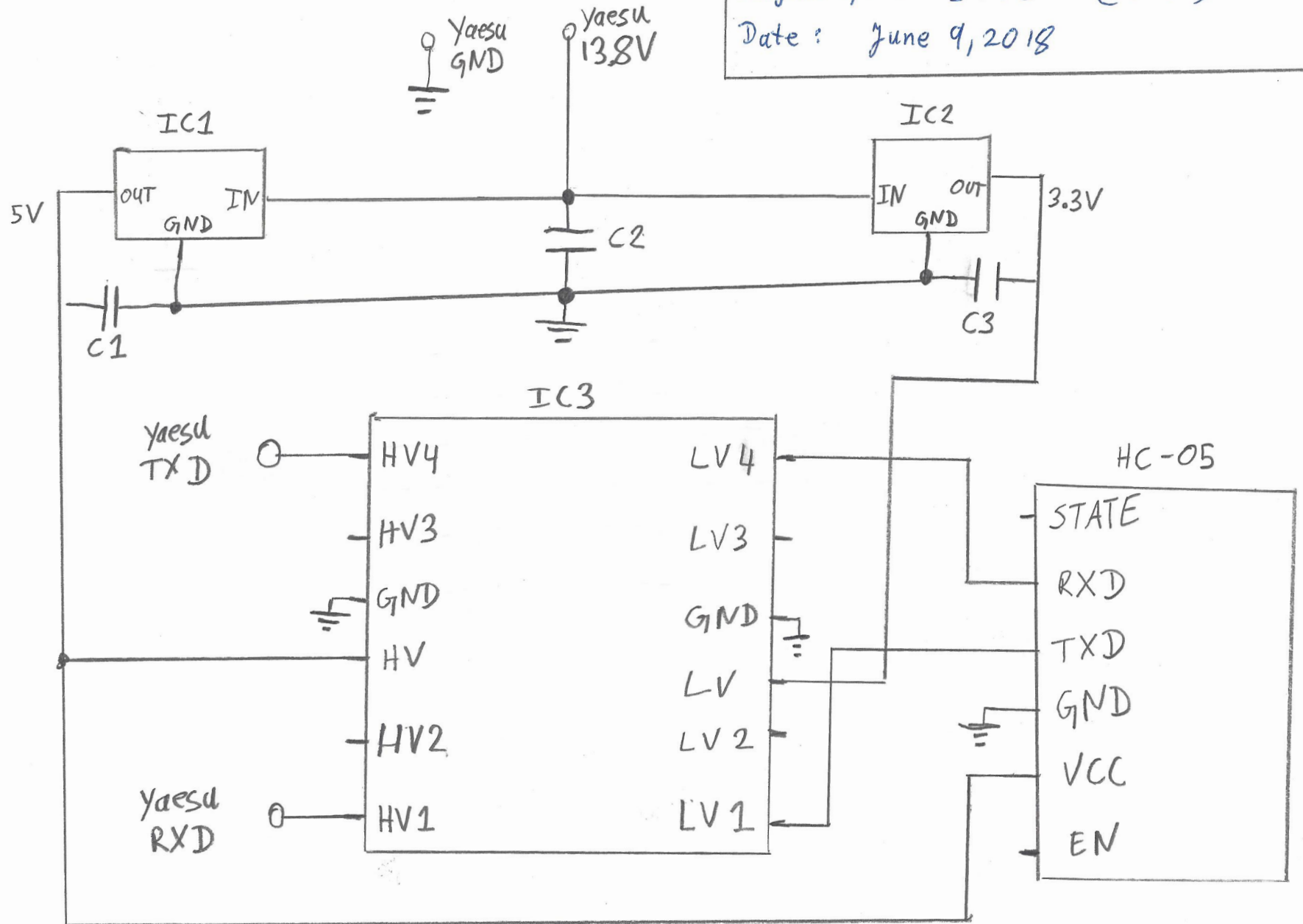


Circuit Diagram

Project: Yaesu Bluetooth CAT Interface

Designed by: Claus Niesen (K0TET)

Date: June 9, 2018



Notes

JP1 6pin Long legged female header

C1 2.2µF electrolytic capacitor

C2 2.2µF electrolytic capacitor

C3 3.3µF electrolytic capacitor

IC1 LP2950-50LPRE3 5V Voltage regulator

IC2 LP2950-33LPRE3 3.3V Voltage regulator

IC3 4channel bi-directional logic level converter 5V to 3.3V

Perfboard Layout Planning Sheet

Project Yaesu Blue tooth CAT Interface

Designed by Claus Niesen (KØTET)

Version 1

Date June 9, 2018

